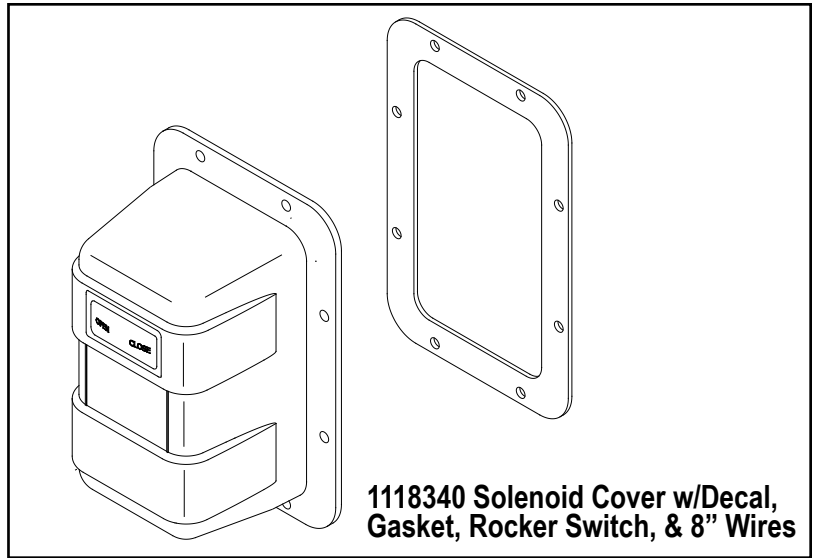


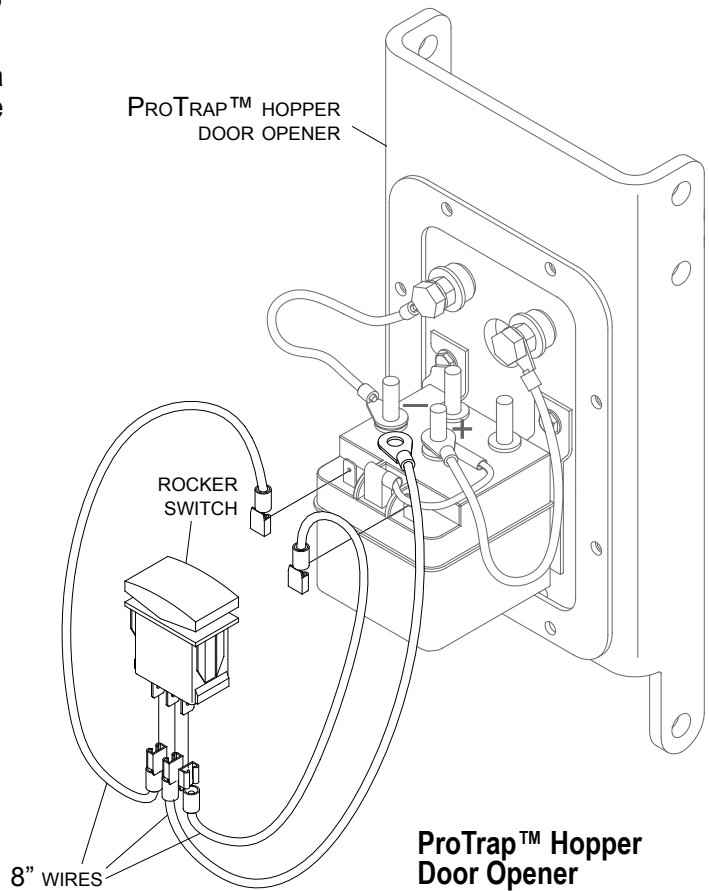
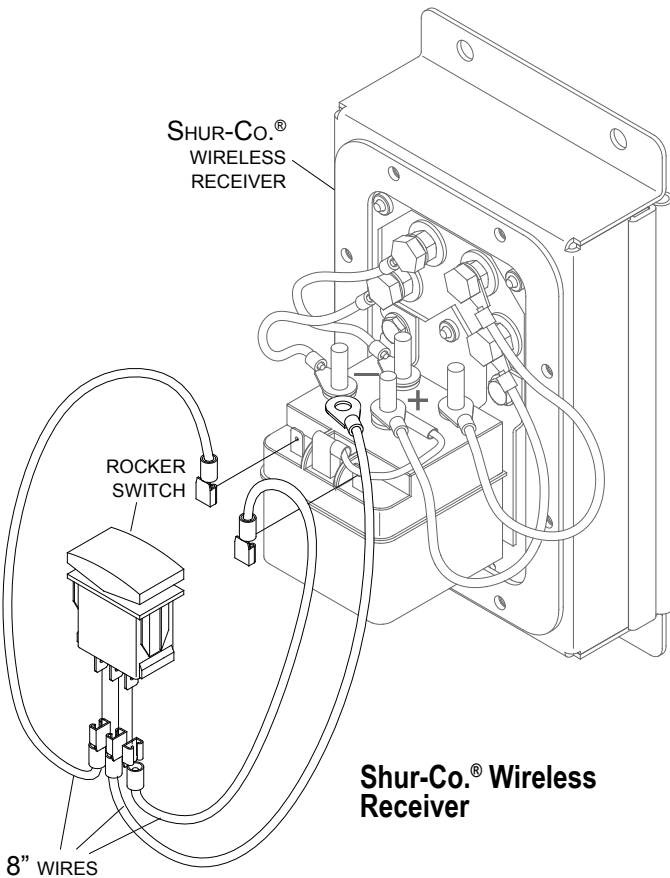
1119043 Replacement Solenoid Cover w/Decal & Rocker Switch



1118340 Solenoid Cover w/Decal, Gasket, Rocker Switch, & 8" Wires

STEP 1: Remove eight #10 x 3/4" cap screws from solenoid cover, and remove cover from solenoid/bracket assembly.

STEP 2: Unplug terminals from existing rocker switch one at a time. Plug each terminal into new rocker switch before unplugging next terminal.



STEP 3: Replace solenoid cover and re-install eight #10 x 3/4" cap screws.