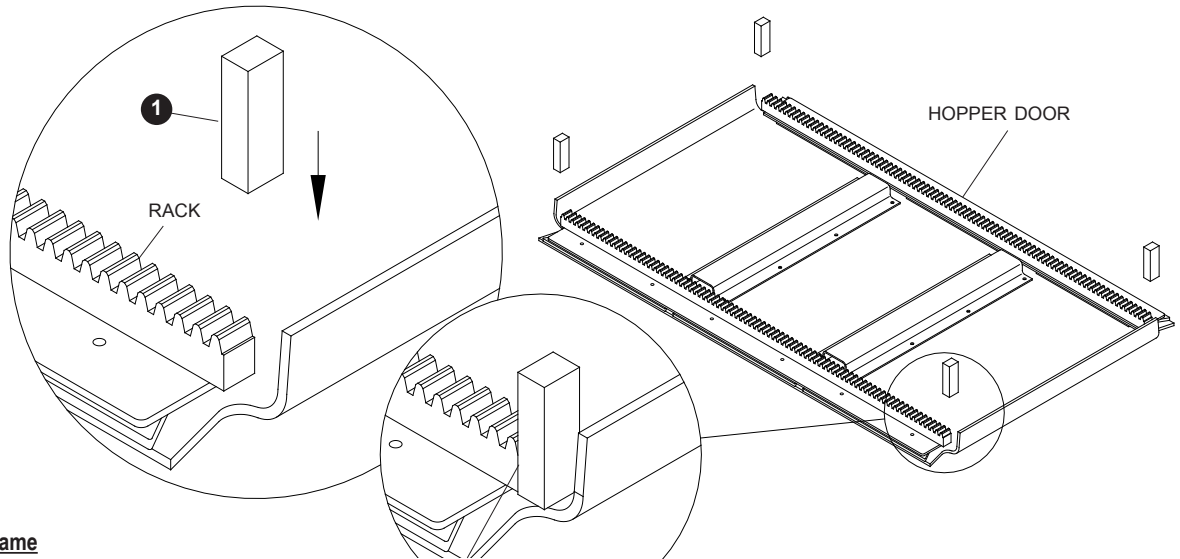


AUXILIARY STOPS PROTRAP INSTRUCTIONS



Item Part No. Part Name

- 1118338 Hopper Parts Kit, Auxiliary Stops
1. 1118307 Door Stop, Auxiliary Stops

*LOCATE ALL FOUR DOOR STOPS
AS SHOWN & WELD TO RACK*

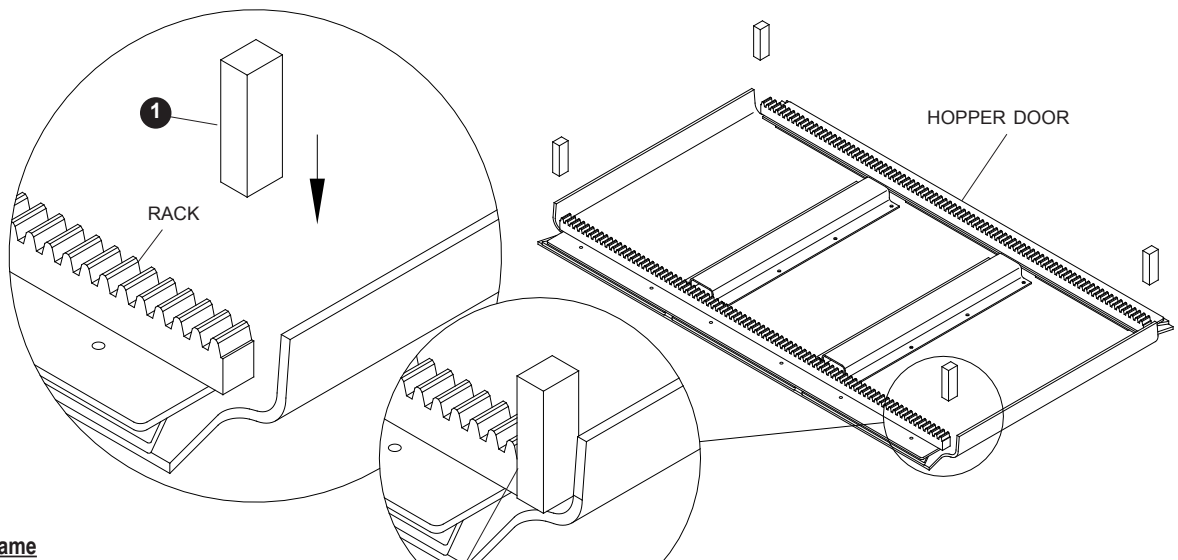


Shur-Co.

P.O. Box 713, 2309 Shur-Lok Street Yankton, South Dakota 57078
Call Toll Free: 1-866-748-7435 Fax: (605) 665-0501 Web Site: <http://www.shurco.com>

P/N 1118334 Rev. A

AUXILIARY STOPS PROTRAP INSTRUCTIONS



Item Part No. Part Name

- 1118338 Hopper Parts Kit, Auxiliary Stops
1. 1118307 Door Stop, Auxiliary Stops

*LOCATE ALL FOUR DOOR STOPS
AS SHOWN & WELD TO RACK*



Shur-Co.

P.O. Box 713, 2309 Shur-Lok Street Yankton, South Dakota 57078
Call Toll Free: 1-866-748-7435 Fax: (605) 665-0501 Web Site: <http://www.shurco.com>

P/N 1118334 Rev. A